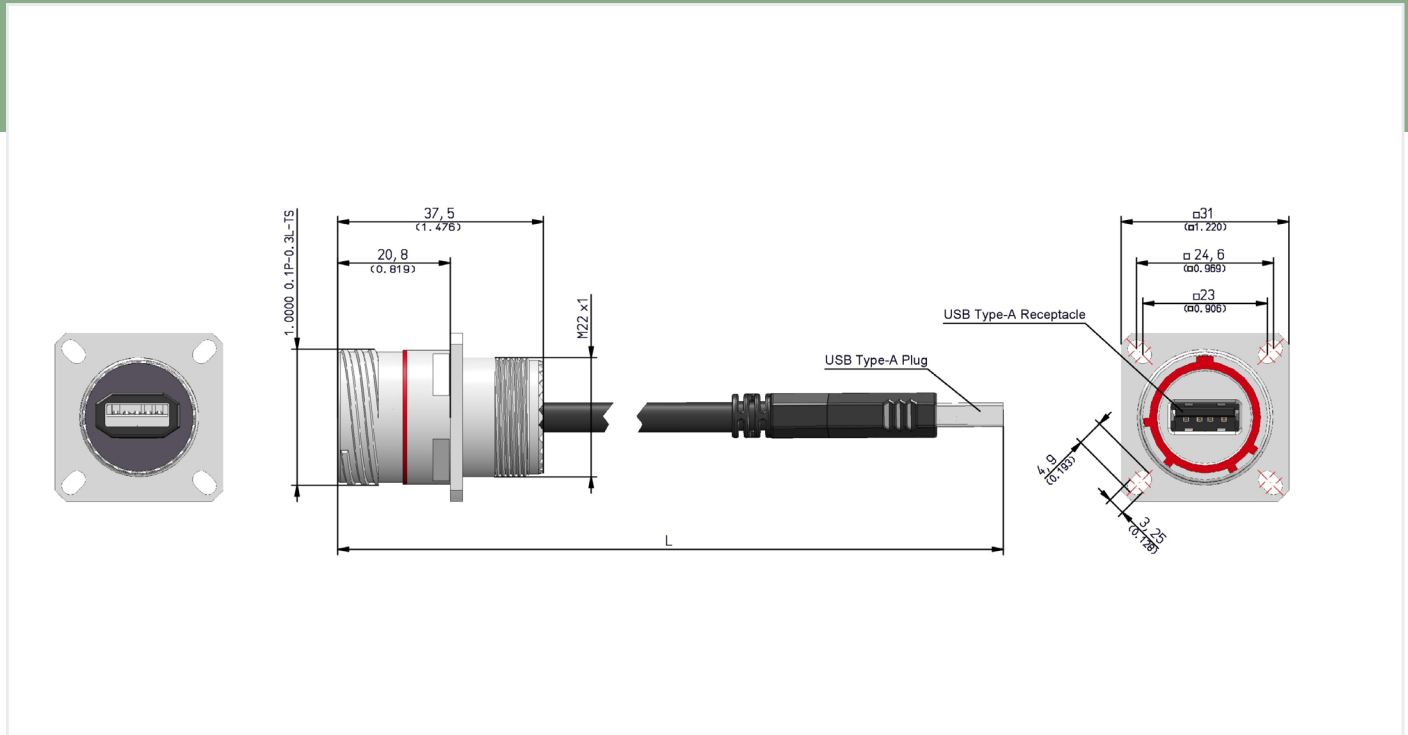


# X2-SERIES – RUGGED USB CONNECTIONS

## USB A – SQUARE FLANGE RECEPTACLE WITH CORDSET X2-9856



### INFORMATION

All dimensions in mm (inch) unless otherwise specified.

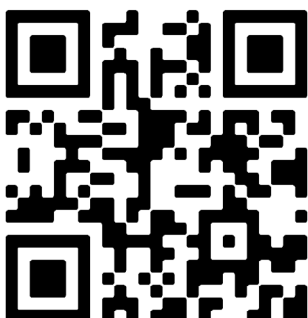
Shell derived from D38999

PN: X2-9856

Datasheet Version: 1.0

#### CATALOG:

Harsh Environment  
Data Connectivity Solutions



### Table A: Material & Plating

Material & Plating Code	Technical Design	ROHS-/REACH Compliant	Electrically Conductive	Salt Spray Resistance according to MIL spec.	Salt Spray Resistance according to VG spec.
V	<b>Tin-Zinc grey</b> Base material: Al-alloy Tin-Zinc over electroless Nickel	Yes	Yes	500 hrs	5 day cyclic
5	<b>Electroless Nickel</b> Base material: Al-alloy	Yes	Yes	48 hrs	n.a.
2	<b>Zinc-Nickel black</b> Coupling ring: Al-alloy, black anodized Shell: Zinc-Nickel black chromate over electroless Nickel	Yes	Yes	500 hrs	n.a.
6	<b>Cadmium olive drab</b> Coupling ring: Al-alloy, olive drab anodized Shell: Al-alloy Cadmium plated olive drab over electroless Nickel	No	Yes	500 hrs	5 day cyclic
9	<b>Marine Bronze</b> Base material: Marine Bronze CuAl10Ni5Fe4 (CW307G) Shotblast, nonreflective	Yes	Yes	n.a.	n.a.
1	<b>Stainless Steel / passivated</b>	Yes	Yes	n.a.	n.a.

## Performance

Voltage Rating (V_BUS)	20 V
Current Rating (V_BUS)	3 A
Temperature	-20 °C to +85 °C
Mating cycles	>500
Compatible with	USB 3.2 Gen 1

## Table B: Cable length

Length Code	Length L in mm	Tolerance in mm
0500	500 (19,685)	+ 30 (1.181)
1000	1000 (39,370)	+ 40 (1.575)

## Materials

Over molding (plug)	PVC
USB A shell	Nickel plated
Cable jacket	PVC
Housing	See option material

For details about keyway polarization, USB A orientation and panel cut out see page 72-75 in the full „Harsh Environment Data Connectivity Solutions“ catalog.

## How to order

	Table	X2-9856	15	5	N	0	0500
Basic part number							
Shell size							
Material & plating code	A						
Keyway polarization	5						
USB A orientation	7						
Cable length	B						

### ORDER EXAMPLE

**X2-9856-15-5 N 0-0500**

USB A – SQUARE FLANGE WITH CORDSET

SIZE 15, ELECTROLESS NICKEL

KEYWAY = N (STANDARD)

USB A ORIENTATION = 0° (See drawing)

CABLE LENGTH 500 MM

### EMCA CONNECTOR SOLUTIONS GMBH

X2-9856 | Datasheet Version 1.0

SALES@EMCA-CONNECTOR.DE