

X1-SERIES - RUGGED ETHERNET CONNECTIONS

ACCESSORIES: RJ45 BACKSHELLS Y2-9868, Y2-9869 and Y2-9870

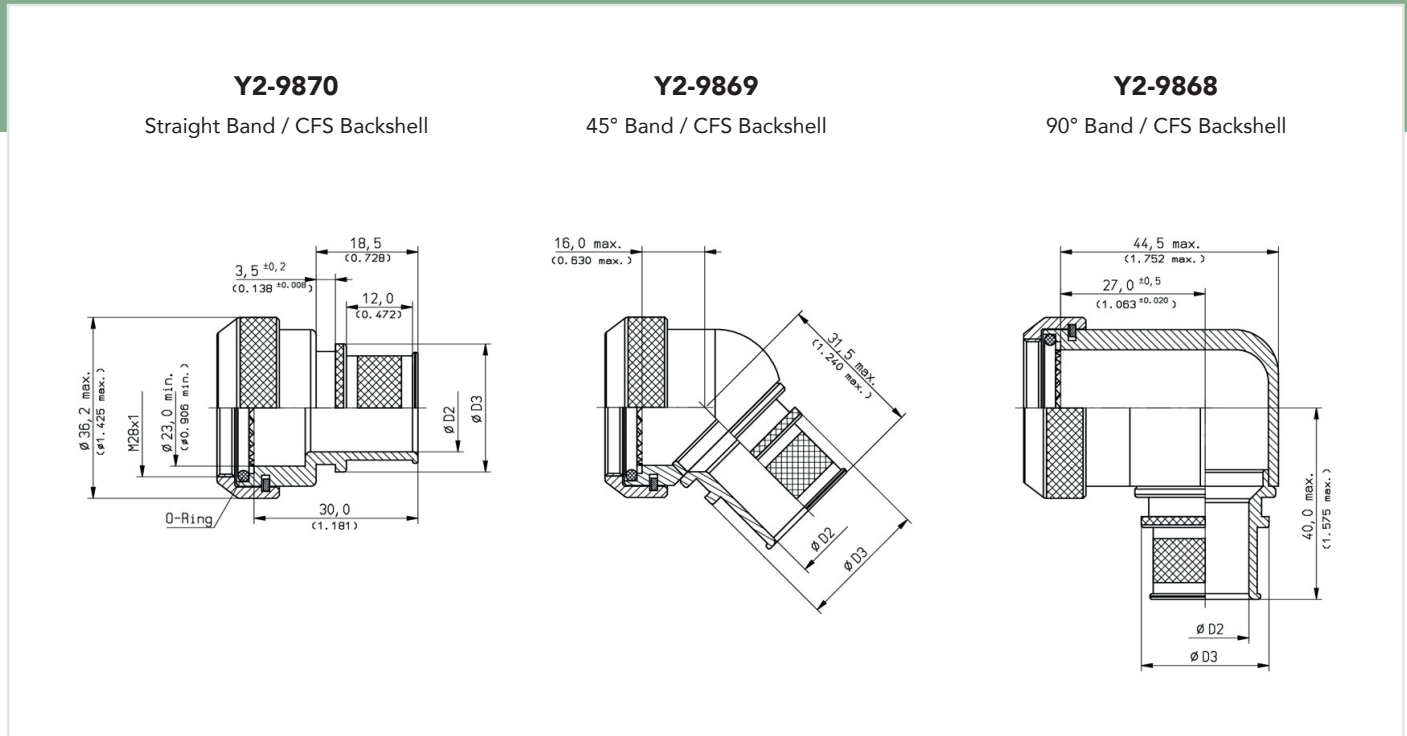


Table A: Material & Plating

All dimensions in mm (inch) unless otherwise specified.

PN: Y2-9868

Y2-9869

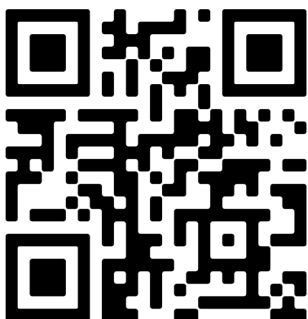
Y2-9870

Datasheet Version: 1.0

CATALOGUE:

Harsh Environment

Data Connectivity Solutions




Material & Plating Code	Technical Design	ROHS-/REACH Compliant	Electrically Conductive	Salt Spray Resistance according to MIL spec.	Salt Spray Resistance according to VG spec.
J (to be used with V plated connectors)	<p>Black Hybrid finish Coupling ring: Al-alloy, black anodized Shell: Electroless Nickel plating, exposed area is selective black coated Screen termination system has a very good electrical conductivity (electroless Nickel) All visible parts are black coloured in assembled condition Version *J* is interchangeable with Cadmium-, Tin-Zinc-, Nickel-, Zinc-Nickel-, and Zinc-Cobalt-plated connectors</p> 	Yes	Yes	500 hrs	5 day cyclic
5	<p>Electroless Nickel Base material: Al-alloy</p>	Yes	Yes	48 hrs	n.a.
2	<p>Zinc-Nickel black Coupling ring: Al-alloy, black anodized Shell: Zinc-Nickel black chromate over electroless Nickel</p>	Yes	Yes	500 hrs	n.a.
9	<p>Marine Bronze Base material: Marine Bronze CuAl10Ni5Fe4 (CW307G) Shotblast, nonreflective</p>	Yes	Yes	n.a.	n.a.
1	<p>Stainless Steel / passivated</p>	Yes	Yes	n.a.	n.a.

Table B: Cable entry size

Entry Size Code	øD2 min.	øD3 max.
05	7,9 (0.311)	15,5 (0.610)
06	9,5 (0.374)	17,2 (0.677)
07	11,1 (0.437)	18,7 (0.736)
08	12,7 (0.500)	20,3 (0.799)

How to order	Table	Y2-9870	19	1	05
Basic part number (Straight, 45° or 90°)	see above				
Shell size 19 (For RJ45 X1-Series)					
Material & Plating option	A				
Cable entry size	B				

ORDER EXAMPLE Y2-9870-19 1 05

STRAIGHT BAND / CFS BACKSHELL
 SIZE 19
 STAINLESS STEEL
 ØD2=7,9 MM

EMCA CONNECTOR SOLUTIONS GMBH

Y2-9870, Y2-9868 and Y2-9869
 Datasheet Version 1.0
 SALES@EMCA-CONNECTOR.DE