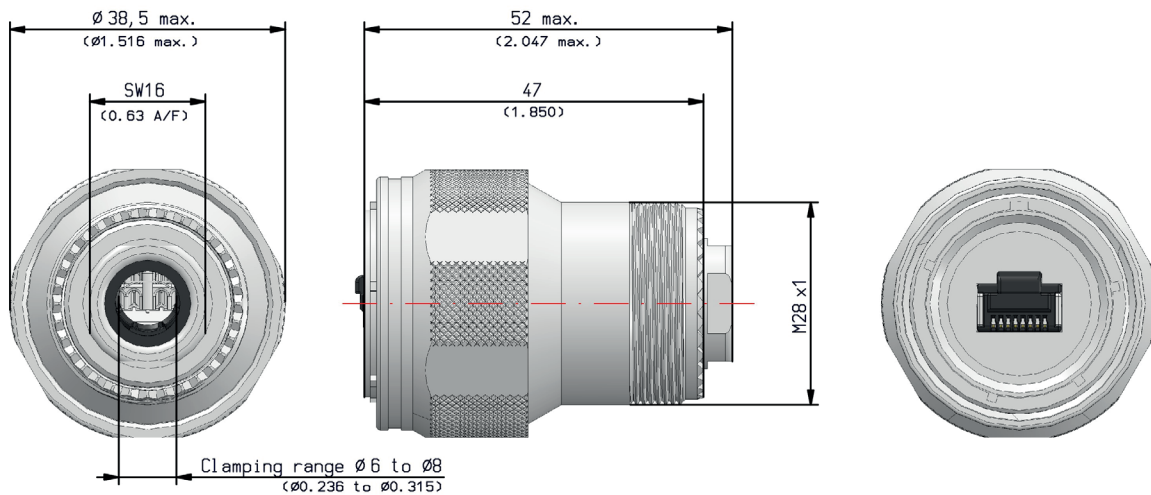


X1-SERIES-RUGGED INDUSTRIAL ETHERNET MIL-DTL-38999 SERIES III

RJ45 CAT.6A FIELD TERMINATION PLUG X1-9878



INFORMATION

All dimensions in mm (inch) unless otherwise specified.

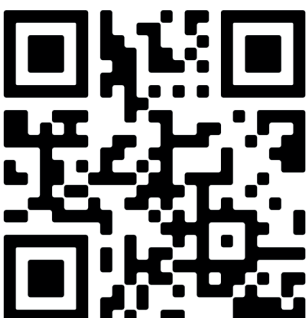
Mates with RJFTV

PN: X1-9878

Datasheet Version: 1.0

CATALOGUE:

RJ45 Industrial Ethernet
X1-Series



How to order

Table X1-9878 19 5 N

Basic part number

Shell size

Material & plating code 1

Keyway polarization 2

RJ45 orientation can be selected during assembly
Field termination plug, no special tooling required

Material & Plating Code (Table 1)	Technical Design	ROHS-/REACH Compliant	Electrically Conductive	Salt Spray Resistance
V	Aluminium alloy Tin-Zinc, grey, nonreflective over electroless nickel	Yes	Yes	500 hrs
5	Aluminium alloy Electroless nickel	Yes	Yes	48 hrs
2	Aluminium alloy Zinc-Nickel, black over electroless nickel	Yes	Yes	500 hrs
6	Aluminium alloy Cadmium, olive drab over electroless nickel	No	Yes	500 hrs
9	Marine bronze CuAl10Ni5Fe4 (CW307G), shotblast, nonreflective	Yes	Yes	n.a.
1	Stainless steel Shotblast, nonreflective passivated	Yes	Yes	n.a.

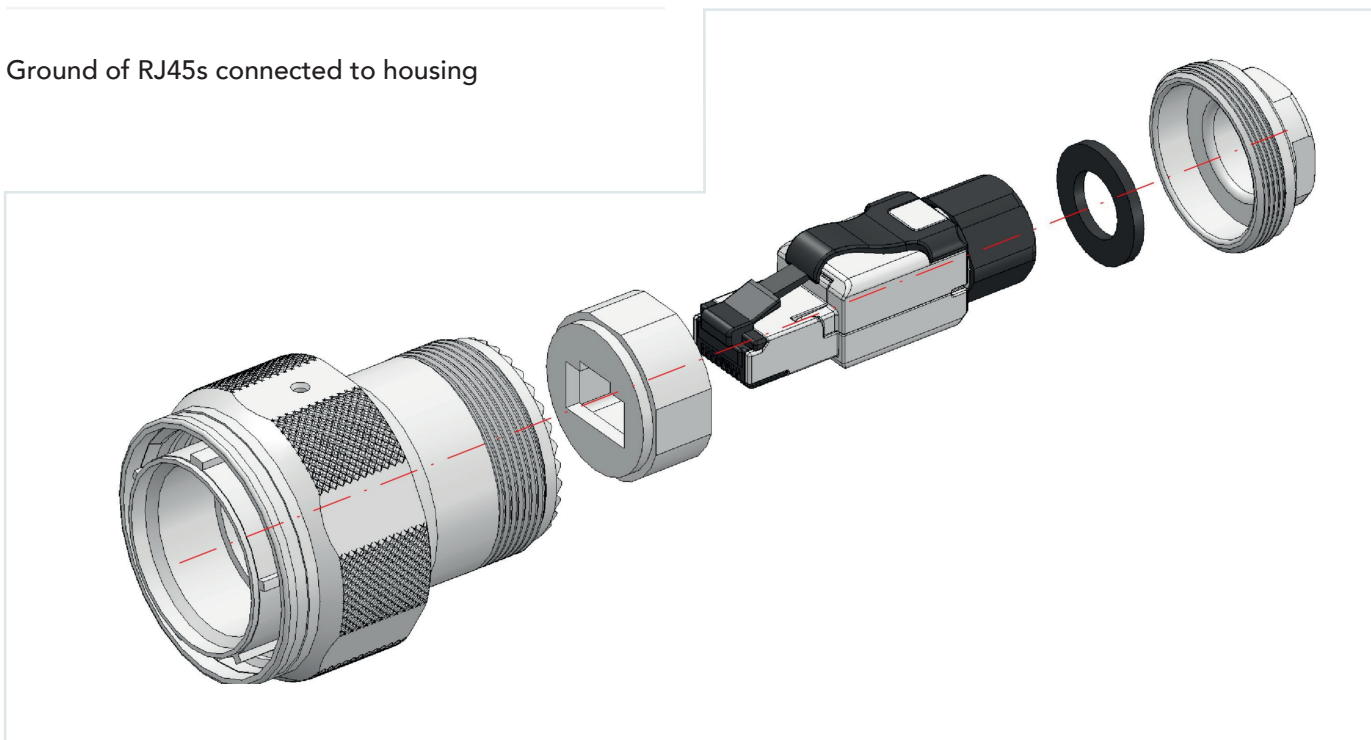
Performance

Insulation resistance	500MΩ min. @100V DC
Dielectric withstanding voltage	1000 VDC - Contact to contact
Dielectric withstanding voltage	1500 VDC - Contact to shield
Temperature	-40 °C to +85 °C
Mating cycles	>500
Data transmission	10 Gbit/s (500 Mhz)
Shielding	FTP
Wire guage	23-26 AWG

Materials

RJ45 housing	Zinc-alloy
Contacts plating	Selective gold 1,27µm (50 µin)
Contacts plating	Nickel plated
Contacts	Phosphor bronze alloy
Housing	See option material
IDC	Phosphor bronze alloy With 2,54 µm (100 µin) 100% Sn Alloy
Grommet	Polyoxymethylen copolymer

Ground of RJ45s connected to housing



ORDER EXAMPLE

X1-9878-19-5 N

FIELD TERMINATION PLUG

SIZE 19

ELECTROLESS NICKEL

KEYWAY=N (STANDARD)

EMCA CONNECTOR SOLUTIONS GMBH

X1-9878 | Datasheet Version 1.0

SALES@EMCA-CONNECTOR.DE